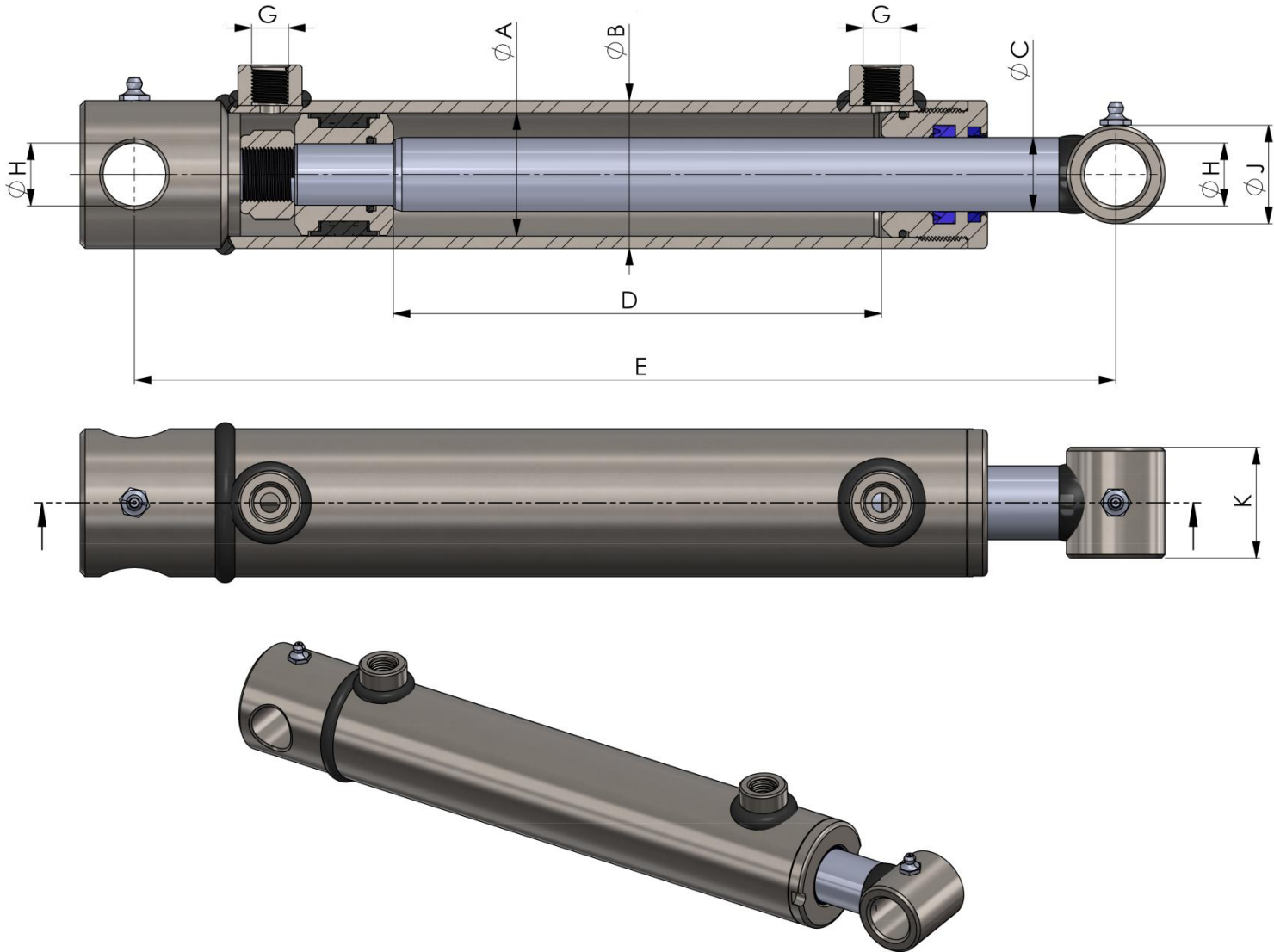


DIMENZIJE / DIMENSIONS



HOLE	A	B	C	J	H	K	E	D (stroke)	G
	[mm]								[inch]
40/25-xxx									
40/25-100	40	50	25	35	20,5	40	270	100	3/8"
40/25-150	40	50	25	35	20,5	40	320	150	3/8"

40/25-200	40	50	25	35	20,5	40	370	200	3/8"
40/25-250	40	50	25	35	20,5	40	420	250	3/8"
40/25-300	40	50	25	35	20,5	40	470	300	3/8"
40/25-350	40	50	25	35	20,5	40	520	350	3/8"
40/25-400	40	50	25	35	20,5	40	570	400	3/8"
40/25-450	40	50	25	35	20,5	40	620	450	3/8"
40/25-500	40	50	25	35	20,5	40	670	500	3/8"
40/25-550	40	50	25	35	20,5	40	720	550	3/8"
40/25-600	40	50	25	35	20,5	40	770	600	3/8"
40/25-700	40	50	25	35	20,5	40	870	700	3/8"
40/25-800	40	50	25	35	20,5	40	970	800	3/8"
40/25-900	40	50	25	35	20,5	40	1070	900	3/8"
40/25-1000	40	50	25	35	20,5	40	1170	1000	3/8"
50/30-xxx									
50/30 - 100	50	60	30	40	25,5	45	300	100	3/8"
50/30 - 150	50	60	30	40	25,5	45	350	150	3/8"
50/30 - 200	50	60	30	40	25,5	45	400	200	3/8"
50/30 - 250	50	60	30	40	25,5	45	450	250	3/8"
50/30 - 300	50	60	30	40	25,5	45	500	300	3/8"
50/30 - 350	50	60	30	40	25,5	45	550	350	3/8"
50/30 - 400	50	60	30	40	25,5	45	600	400	3/8"
50/30 - 450	50	60	30	40	25,5	45	650	450	3/8"

50/30 - 500	50	60	30	40	25,5	45	700	500	3/8"
50/30 - 550	50	60	30	40	25,5	45	750	550	3/8"
50/30 - 600	50	60	30	40	25,5	45	800	600	3/8"
50/30 - 700	50	60	30	40	25,5	45	900	700	3/8"
50/30 - 800	50	60	30	40	25,5	45	1000	800	3/8"
50/30 - 900	50	60	30	40	25,5	45	1100	900	3/8"
50/30 - 1000	50	60	30	40	25,5	45	1200	1000	3/8"
70/40-xxx									
70/40 - 100	70	80	40	50	30,5	55	310	100	3/8"
70/40 - 150	70	80	40	50	30,5	55	360	150	3/8"
70/40 - 200	70	80	40	50	30,5	55	410	200	3/8"
70/40 - 250	70	80	40	50	30,5	55	460	250	3/8"
70/40 - 300	70	80	40	50	30,5	55	510	300	3/8"
70/40 - 350	70	80	40	50	30,5	55	560	350	3/8"
70/40 - 400	70	80	40	50	30,5	55	610	400	3/8"
70/40 - 450	70	80	40	50	30,5	55	660	450	3/8"
70/40 - 500	70	80	40	50	30,5	55	710	500	3/8"
70/40 - 600	70	80	40	50	30,5	55	810	600	3/8"
70/40 - 700	70	80	40	50	30,5	55	910	700	3/8"
70/40 - 800	70	80	40	50	30,5	55	1010	800	3/8"
70/40 - 900	70	80	40	50	30,5	55	1110	900	3/8"
70/40 - 1000	70	80	40	50	30,5	55	1210	1000	3/8"

80/40-xxx									
80/40 - 100	80	92	40	50	30,5	55	310	100	1/2"
80/40 - 150	80	92	40	50	30,5	55	360	150	1/2"
80/40 - 200	80	92	40	50	30,5	55	410	200	1/2"
80/40 - 250	80	92	40	50	30,5	55	460	250	1/2"
80/40 - 300	80	92	40	50	30,5	55	510	300	1/2"
80/40 - 350	80	92	40	50	30,5	55	560	350	1/2"
80/40 - 400	80	92	40	50	30,5	55	610	400	1/2"
80/40 - 450	80	92	40	50	30,5	55	660	450	1/2"
80/40 - 500	80	92	40	50	30,5	55	710	500	1/2"
80/40 - 600	80	92	40	50	30,5	55	810	600	1/2"
80/40 - 700	80	92	40	50	30,5	55	910	700	1/2"
80/40 - 800	80	92	40	50	30,5	55	1010	800	1/2"
80/40 - 900	80	92	40	50	30,5	55	1110	900	1/2"
80/40 - 1000	80	92	40	50	30,5	55	1210	1000	1/2"